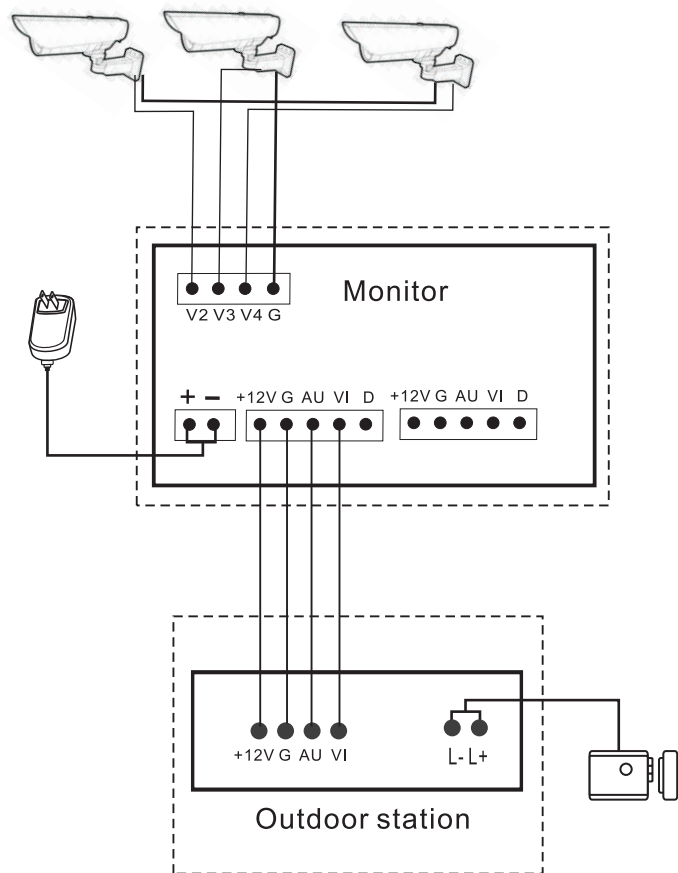


V. PROGRAMMING



OPIZ

User Manual

Video Door Phone



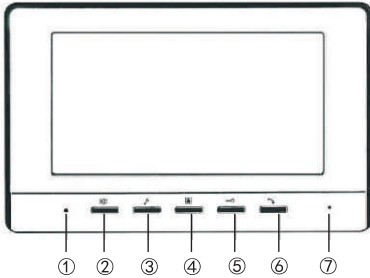
OP-D6A13M3

www.opizcn.com
OPIZ ELECTRONICS CO.,LTD

• Thank you for your kindly purchasing our product.
• Please read this user manual carefully before using the product and following instructions exactly on how to install and use the product.

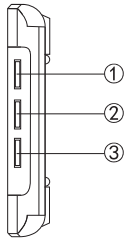
I. VIEW

1. Front view

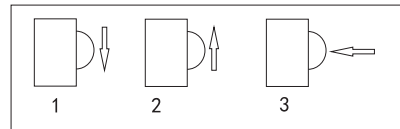


- ① Power indicator
- ② Invalid
- ③ Record
- ④ Monitor
- ⑤ Unlock
- ⑥ Intercom
- ⑦ MIC

2. Side view



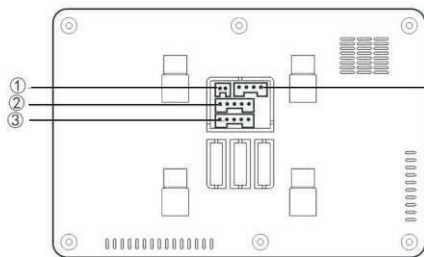
- ① Multi-functions button
- ② Adjust volume of ringtone
- ③ Adjust volume of intercom



Instruction of multi-functions button

- 1. Down/reduce in menu states
Into dormancy in standby states
- 2. Up/increase in menu states
- 3. Menu button in standby states
confirm button in menu states

3. Rear view



- + Power "+"
- Power "-"
- ④ 12V Connect with power supply wire
of outdoor station
- G Common wire
- AU Intercom&unlock line
- Vi Video line
- D Connect with other monitor

- ① Connect with power adapter
- ② Connect with monitor
- ③ Connect with outdoor station
- ④ Connect with camera

II. FUNCTIONS

- 1. Intercom
- 2. Unlock
- 3. Monitor
- 4. Auto take photo
- 5. Auto shut down
- 6. Time and date display
- 7. 12 ringtones for option
- 8. Intercom between monitors
- 9. Adjust image
- 10. Adjust ring tones volume
- 11. Adjust intercom volume

III. OPERATION

- 1. Intercom: press "Intercom" button to communicate with visitor when monitor rings. In standby states, press "monitor" and "Intercom" button can also communicate with outdoor station.
- 2. Intercom between monitors: press "Intercom" button to communicate with others monitors.
- 3. Unlock: press "unlock" button to open the door in intercom states or monitor states.
- 4. Monitor: In standby, press "Monitor" button to view outside, press again to turn to another camera channel, and then stop.
- 5. Auto take photo: monitor will auto take photo in calling states or monitor states.
- 6. Check photos record:
 - A. Press the "Record" button into record menu, move up or down button for last or next, press "Record" button to out off record menu.
 - B. Choose photo icon and press menu button, then move up or down to choose the photo and press "menu" button (confirm button) again to check. delete all photos.
- 7. Choose ringtones: choose ringtone icon and press menu button, then move up or down to choose ringtones.
- 8. Adjust volume of ringtones: please adjust button ② at side.
- 9. Adjust volume of intercom: please adjust button ③ at side.
- 10. Time setting: choose time icon and press menu button, then move up or down to set up time.
- 11. Date setting: choose date icon and press menu button, then move up or down to set up date.
- 12. Adjust image: choose related icon and press menu button to adjust brightness, contrast, color.
- 13. Version: choose version icon for checking the software version.

IV. SPECIFICATIONS

Temperature: -25°C~55°C
 Relative humidity: 45%-95%
 Atmospheric pressure: 86Kpa~108Kpa
 Fire endurance rating: IP33
 Resolution: 800*480

Working voltage: DC12V
 Working current: 420mA
 Dimension: 210*140*20mm
 Installation: wall mounted
 N.W.: 330g