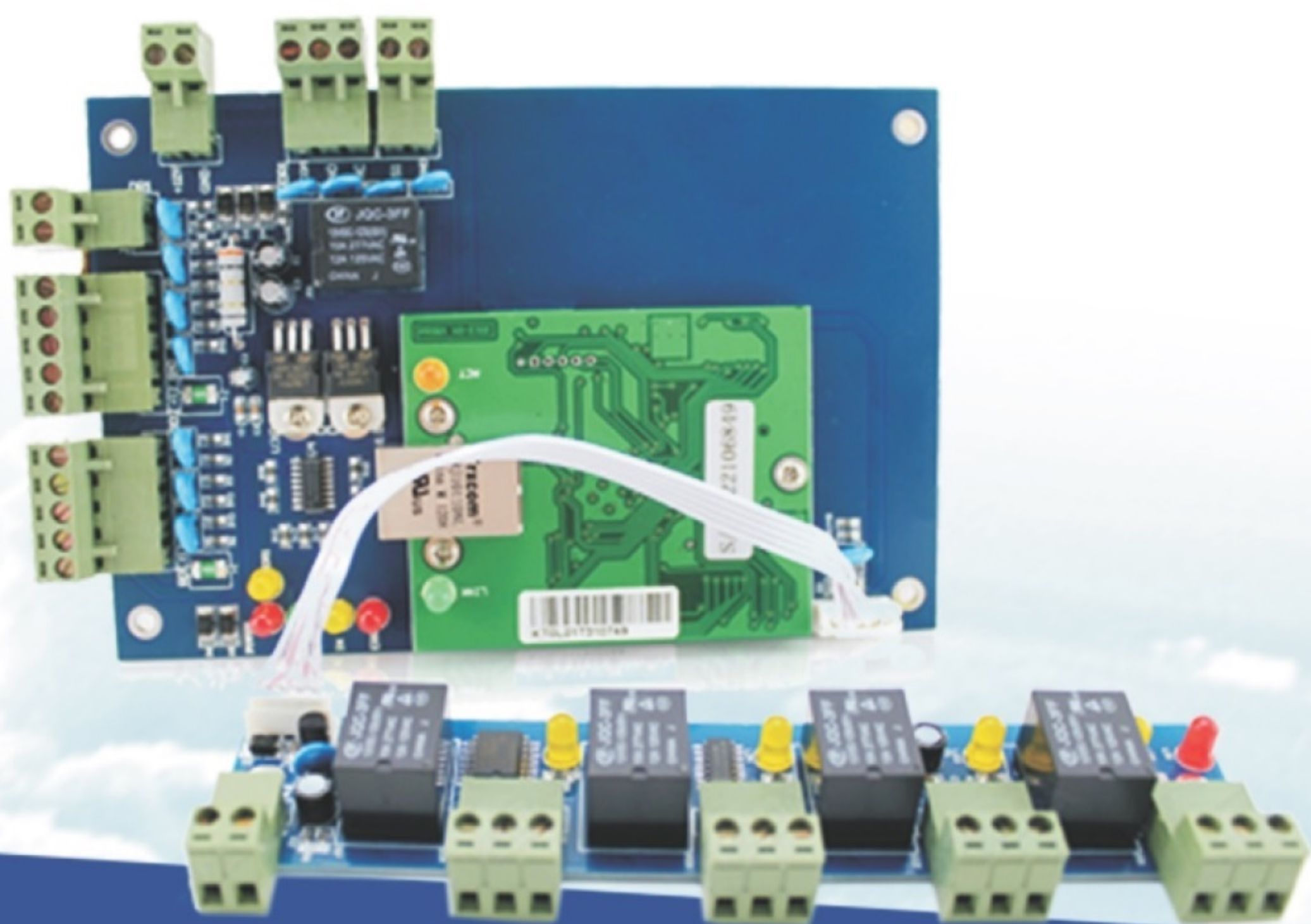


# Access Controller & Security System (ACB series Diagram)



# Catalogue

## **First Chapter Diagram For Access Control Board**

- 1.1 ACB-001 Single Door Access Controller Wiring Diagram ( TCP/IP Communication ) . . . . . Page1
- 1.2 ACB-002 Double Door Access Controller Wiring Diagram ( TCP/IP Communication ) . . . . . Page2
- 1.3 ACB-004 Four Door Access Controller Wiring Diagram ( TCP/IP Communication ) . . . . . Page3

## **Second chapter Diagram For Access Control Board Connection**

- Access Controller Wiring Diagram For TCP/IP Communication . . . . . Page4

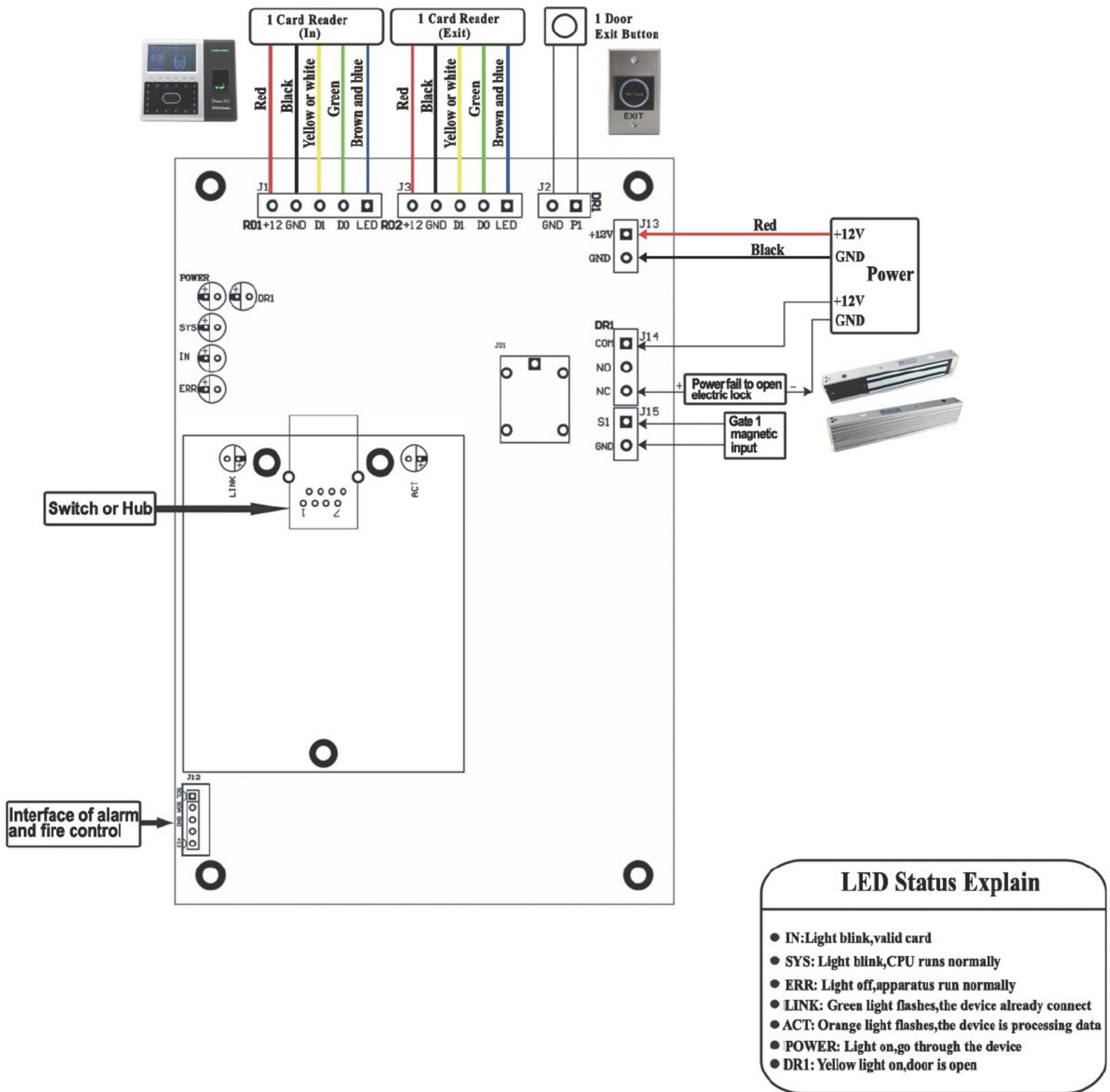
## **Appendix**

- Fire alarm output and the expansion of joint board (optional accessory) . . . . . Page5



# First Chapter Diagram For Access Control Board

## 1.1 ACB-001 Single Door Access Controller Wiring Diagram ( TCP/IP Communication )



### Wiring standard

(Even the connection distance is very short, it must be implemented according to the following requirement)

#### ✦ 220V AC Power cable:

Three-wire power supply, the cross-sectional area 1.0mm<sup>2</sup> or more. It's required that power supply must be grounded to prevent from power interference

#### ✦ The line of electric lock to controller:

It's recommended to use two-wire power line, the cross-sectional area 1.0mm<sup>2</sup> or more. If the distance over 50 meters, it's considered to use thicker line or multiple parallel

#### ✦ TCP/IP Communication Line:

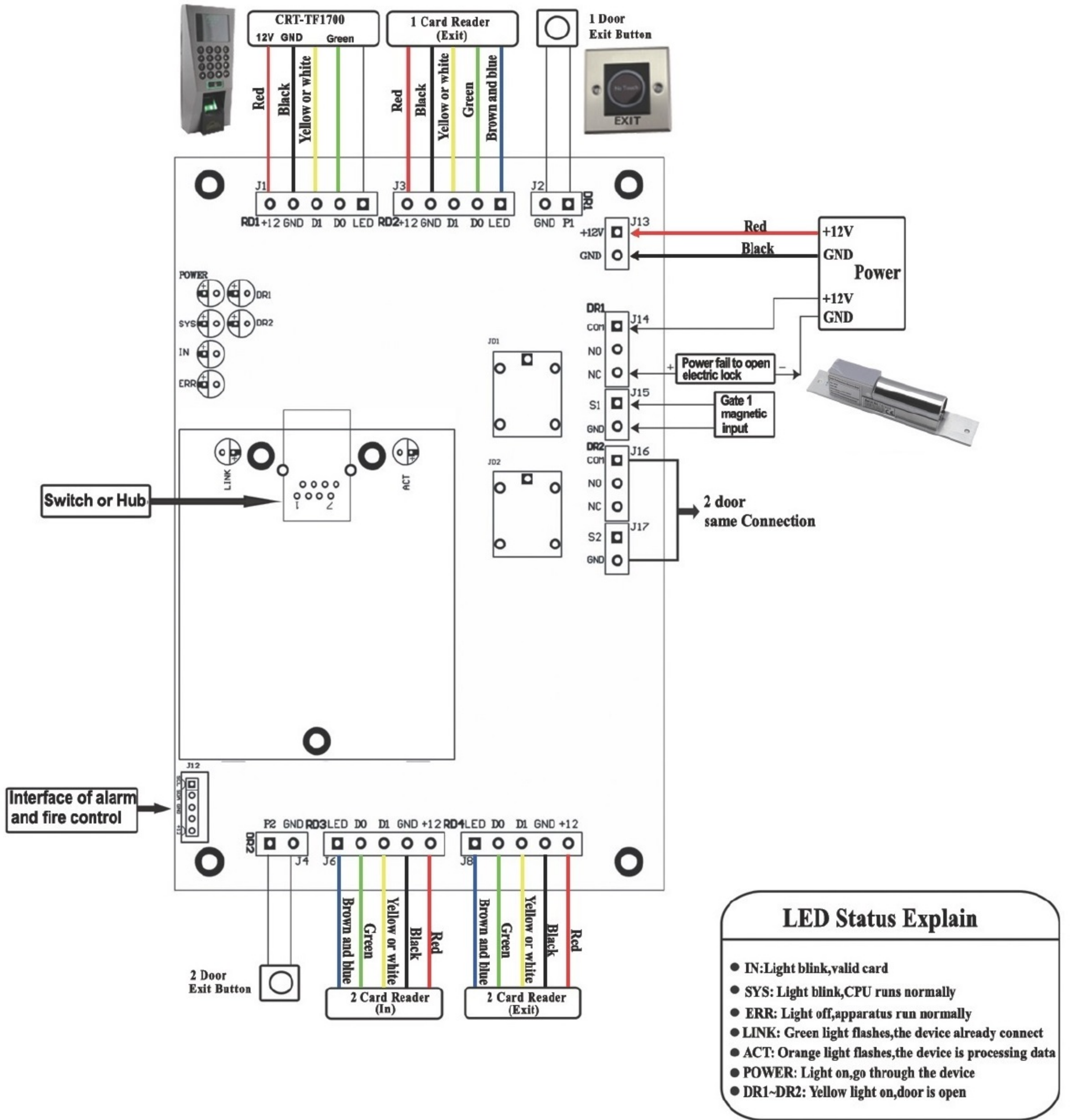
Network cable

#### ✦ The card reader, door sensor and button line:

Can use network cable or others



## 1.2 ACB-002 Double Door Access Controller Wiring Diagram ( TCP/IP Communication )



### Wiring standard

(Even the connection distance is very short, it must be implemented according to the following requirement)

#### † 220V AC Power cable:

Three-wire power supply, the cross-sectional area 1.0mm<sup>2</sup> or more. It's required that power supply must be grounded to prevent from power interference

#### † The line of electric lock to controller:

It's recommended to use two-wire power line, the cross-sectional area 1.0mm<sup>2</sup> or more. If the distance over 50 meters, it's considered to use thicker line or multiple parallel

#### † TCP/IP Communication Line:

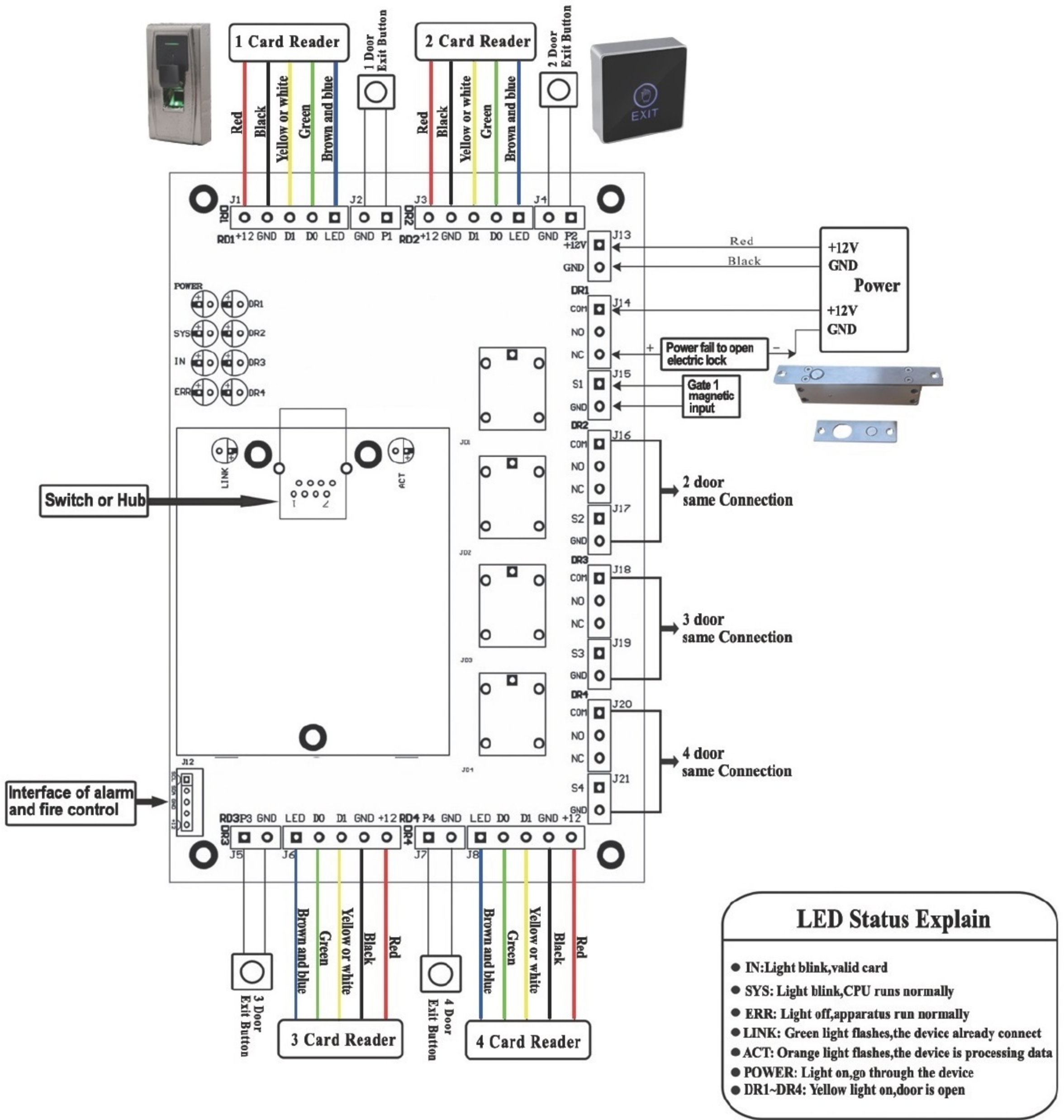
Network cable

#### † The card reader, door sensor and button line:

Can use network cable or others



### 1.3 ACB-004 Four Door Access Controller Wiring Diagram ( TCP/IP Communication )



#### Wiring standard

(Even the connection distance is very short, it must be implemented according to the following requirement)

##### ✦ 220V AC Power cable:

Three-wire power supply, the cross-sectional area 1.0mm<sup>2</sup> or more. It's required that power supply must be grounded to prevent from power interference

##### ✦ The line of electric lock to controller:

It's recommended to use two-wire power line, the cross-sectional area 1.0mm<sup>2</sup> or more. If the distance over 50 meters, it's considered to use thicker line or multiple parallel

##### ✦ TCP/IP Communication Line:

Network cable

##### ✦ The card reader, door sensor and button line:

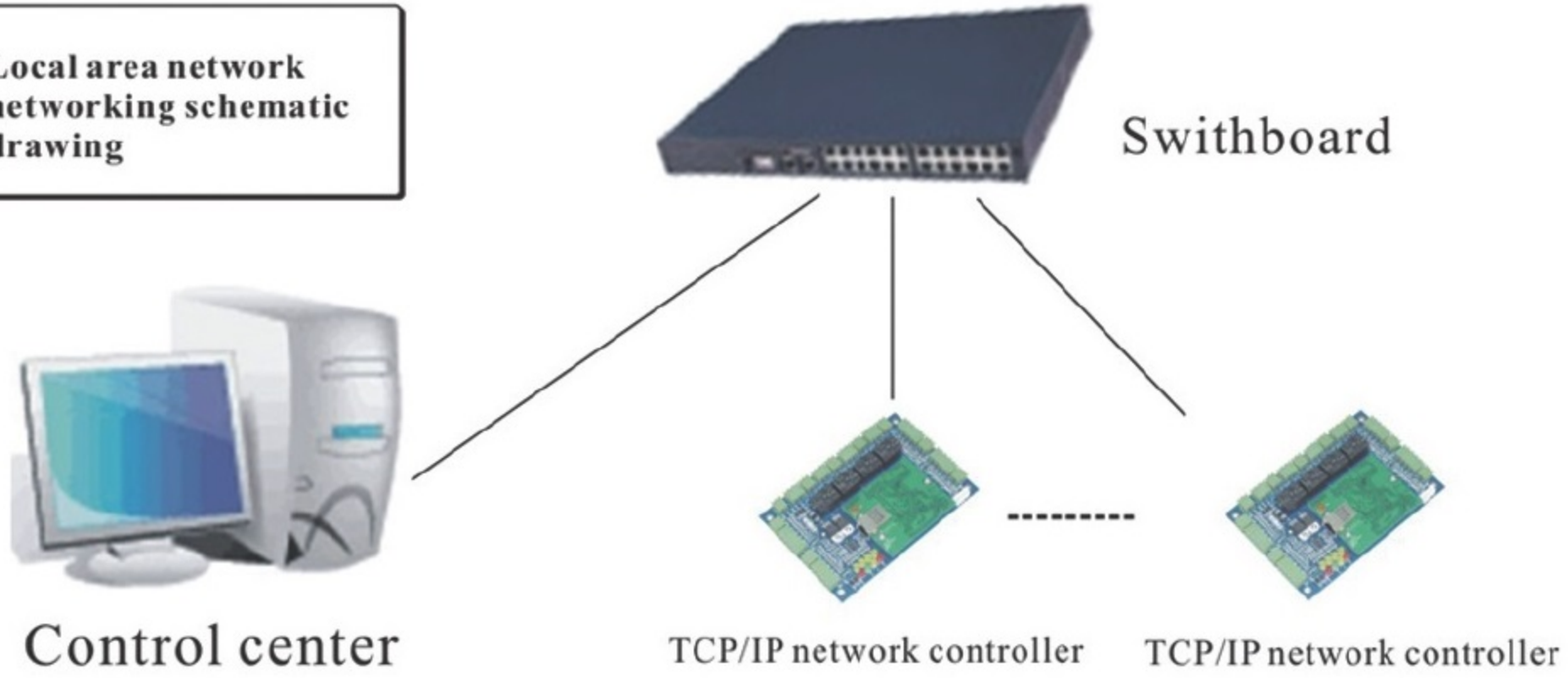
Can use network cable or others



# Diagram For Access Control Board Connection

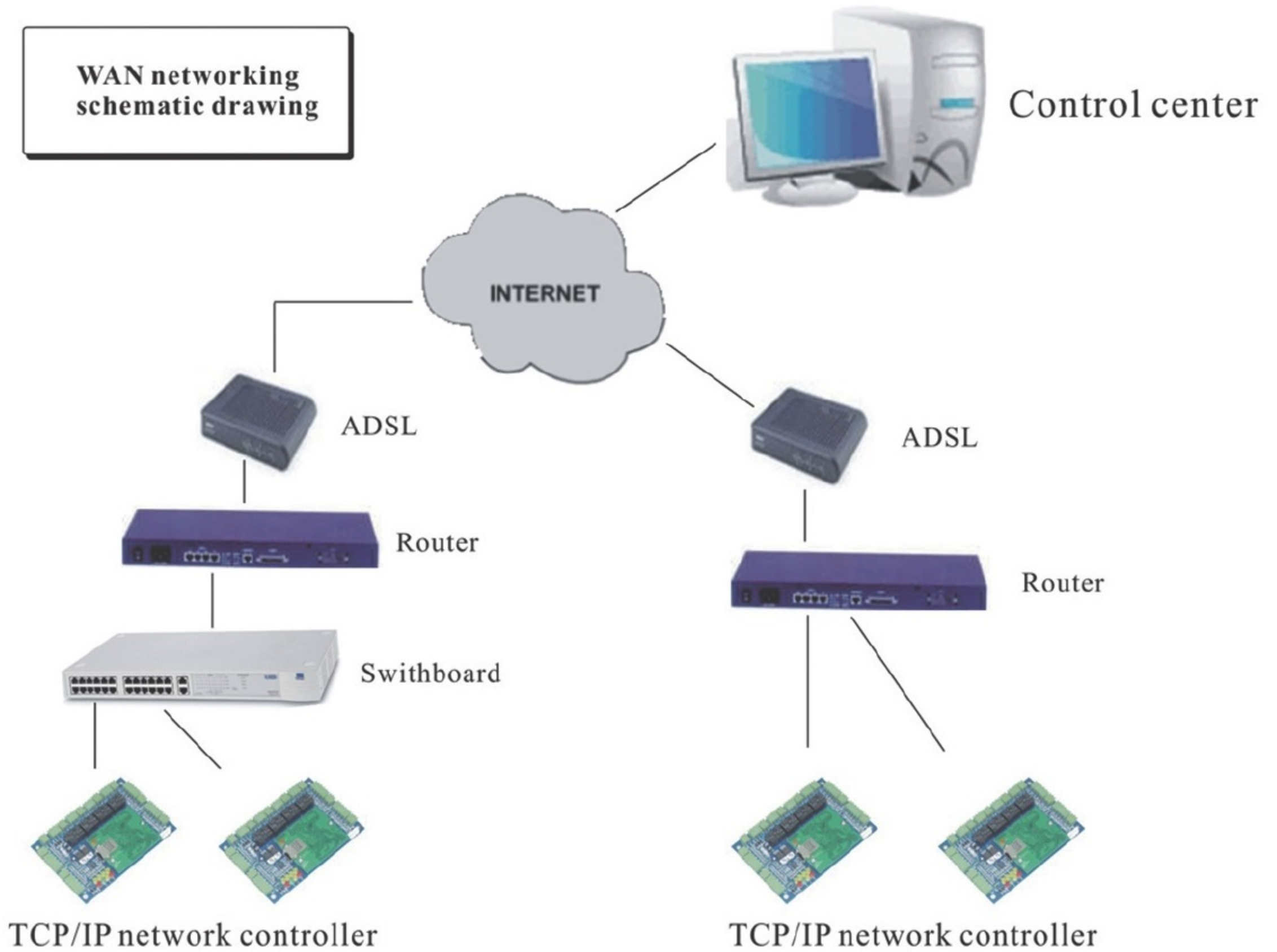
## Access Controller Wiring Diagram For TCP/IP Communication

**Local area network  
networking schematic  
drawing**



As simple as add a computer to connect the controller with computer ;  
Controls conveniently: any computer connect with network can realize the mangement of the controller with unified LAN mangement

**WAN networking  
schematic drawing**



# Appendix

## Fire alarm output and the expansion of joint board (optional accessory)

### I. Overview

ACB-EA05 Fire alarm output and the expansion of joint board, it is one of the access controller add-on modules, with the software settings, mainly used to provide fire and alarm signal output of the joint. The module has a practical, simple interface, the design performance characteristics of stability. With its power and relay instructions, may direct communication failures, is a good cost performance of the joint extension.

### II. The characteristics of the module

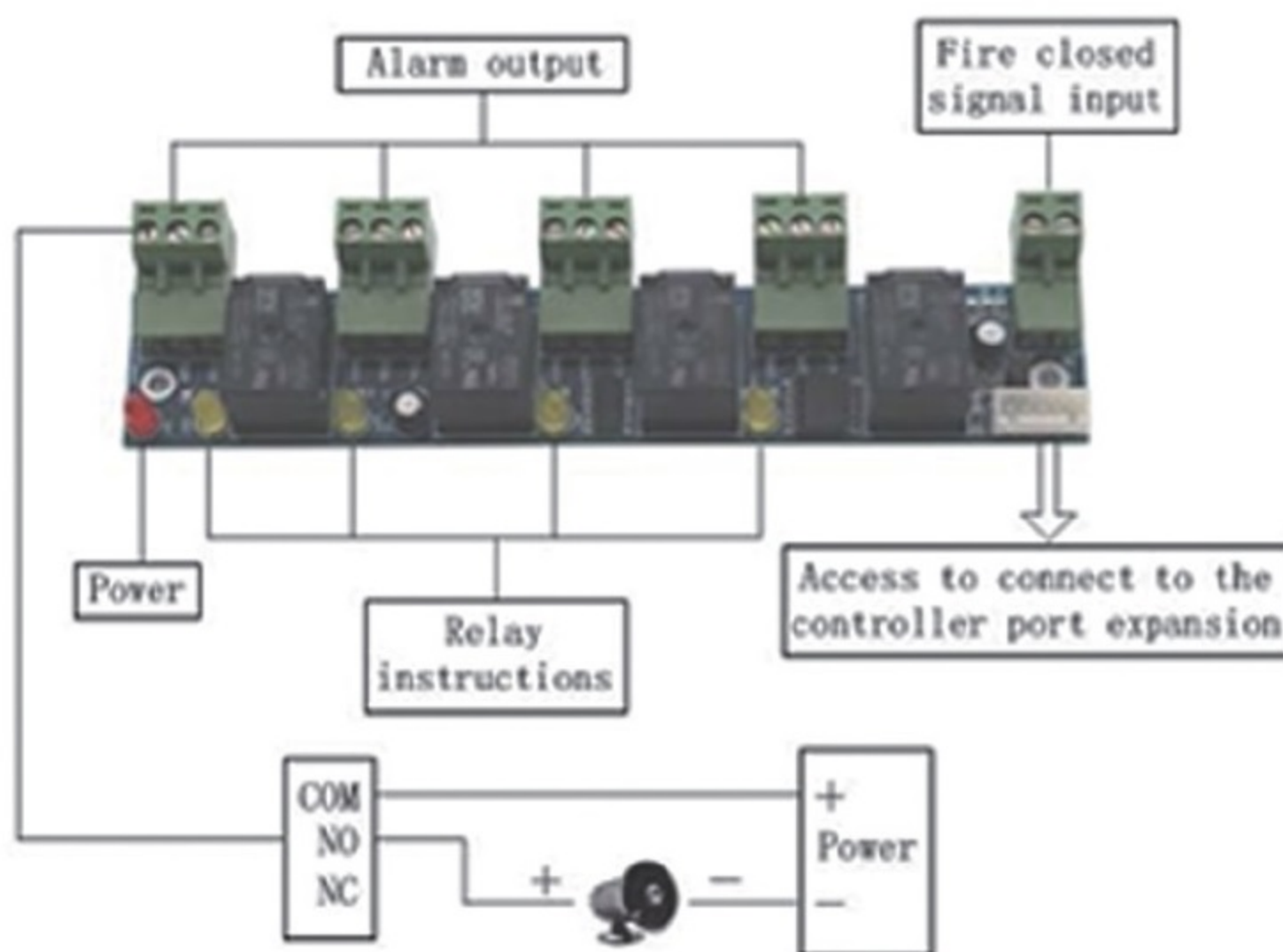
**I.** Four-alarm output, free to the host controller to the definition of a door and the door to a number of features.

**II.** Can connect the output signal fire, the Fire received the signal controller automatically open their doors to all and have a fire alarm records available for consultation.

**III.** Support for the "illegal intrusion" and "the door is not closed for a long time" and "coercion to enter," and "linkage to open the door" and "invalid card" and "fire" alarm linkage output, and so on.

**IV.** Can be set for each output of the delay time 0-6000 seconds.

### III. The appearance of structure





Password for ACB board after installed.

User name: abc  
password:123

Extended function: 5678

After using 20days later, it will appear:

The evaluation period has expired, pls input a new password:  
Register Code: 2004

for any questions, pls email back or call us at anytime!