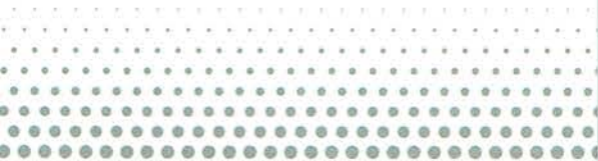
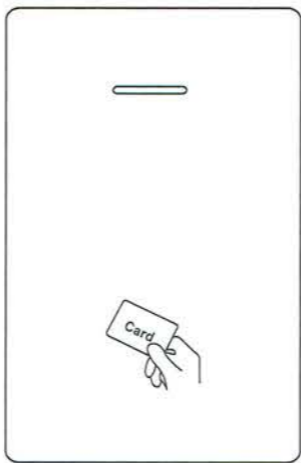


Large Capacity Access Control



1.1.Introduction

This series of product is a new generation of multifunctional standalone access control. It adopts new ARM core 32-bit microprocessor design, which is powerful, stable and reliable. It includes reader mode and standalone access control mode etc.. It's widely applied to different occasions, such as offices, residential communities, villa, bank and prison etc.

2.Features

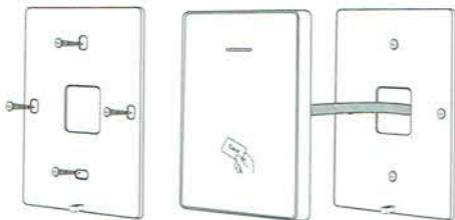
Card Type	Read 125KHz EM Card
Keypad Characteristic	Operate by infrared remote control
Output Way	Contains reader mode, the transmission format could be adjusted by users.
Admin Card	Support admin add card, admin delete card and setting card
User Capacity	10,000 card users
Unlocking signal	The unlocking signal adopts NO,NC,COM output of relay

3. Specifications

Operating Voltage: DC 12-24V	Standby Current: $\leq 35\text{mA}$
Operation Current: $\leq 100\text{mA}$	Operating Temperature: $-20^{\circ}\text{C}\sim 60^{\circ}\text{C}$
Operating Humidity: 0%~95%	Maximum Rated Current: $\leq 1\text{A}$
Door Relay Time: 0 ~ 99s (adjustable)	

4. Installation

- Remove the back cover from the keypad using the supplied special screw driver
- Drill 2 holes on the wall for the self tapping screws and dig a hole for the cable
- Put the supplied rubber bungs into the two holes
- Fix the back cover firmly on the wall with 2 self tapping screws
- Thread the cable through the cable hole
- Attach the keypad to the back cover. (See the figure below)

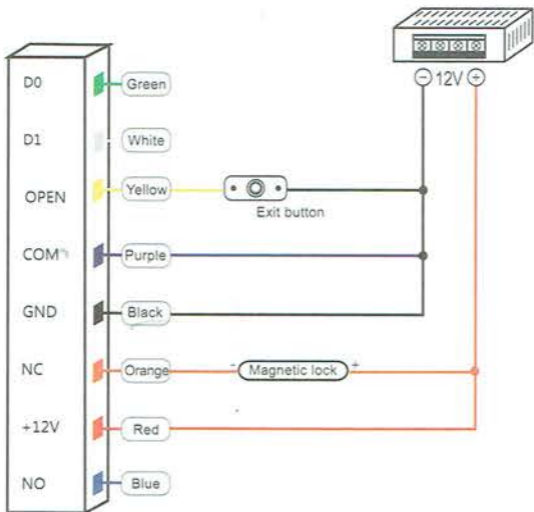


5. Wiring

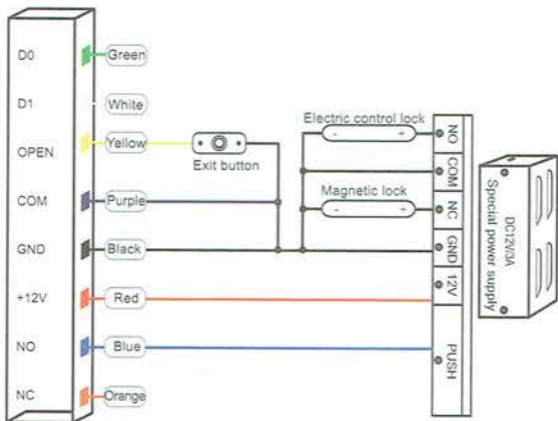
Color	ID	Description
Green	D0	Wiegand Input(Wiegand Output in Card Reader Mode)
White	D1	Wiegand Input(Wiegand Output in Card Reader Mode)
Yellow	OPEN	Exit button input end
Red	+12V	Positive power supply
Black	GND	Negative power supply
Blue	NO	Relay NO end
Purple	COM	Relay COM end
Orange	NC	Relay NC end

6. Diagram

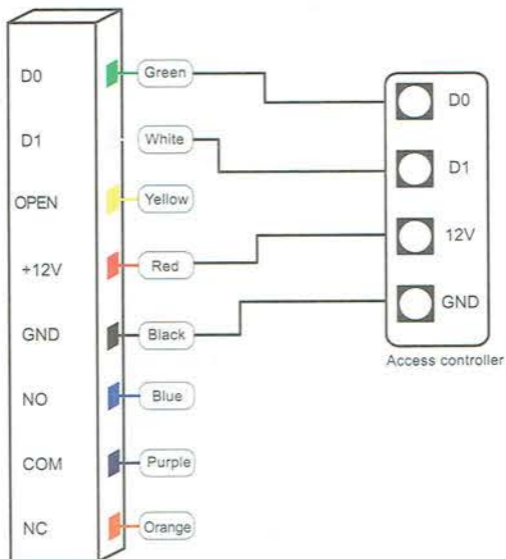
6.1 Common Power Supply



6.2 Special Power Supply



6.3 Reader Mode



7. Sound & Light indication

Operate Status	LED Light Color	Buzzer
Standby	Red	
Operation successful	Green	Beep-
Operation failed		Beep-Beep-Beep
Admin card enter programming		Beep-Beep-
Admin card exit programming		Beep-
Press * key		Beep-
Data backup	Green indicator flash slowly	

8. Admin Menu

Admin Card Operation

Add and Delete Users							
1	Add card user	<table border="1"> <tr> <td>Read admin add card</td> <td>Read user card ...</td> </tr> <tr> <td>Read admin add card</td> <td></td> </tr> </table>	Read admin add card	Read user card ...	Read admin add card		Read card continuously to add card user
	Read admin add card	Read user card ...					
	Read admin add card						
Delete card user	<table border="1"> <tr> <td>Read admin delete card</td> <td>Read user card ...</td> </tr> <tr> <td>Read admin delete card</td> <td></td> </tr> </table>	Read admin delete card	Read user card ...	Read admin delete card		Read card continuously to delete card user	
Read admin delete card	Read user card ...						
Read admin delete card							
Delete ALL users	<table border="1"> <tr> <td>Read admin delete card</td> <td>Read admin add card</td> </tr> <tr> <td>Read admin add card</td> <td></td> </tr> </table>	Read admin delete card	Read admin add card	Read admin add card		Delete ALL users	
Read admin delete card	Read admin add card						
Read admin add card							
Door opening time setting							
2	Door opening time : 1s	<table border="1"> <tr> <td>Read admin add card</td> <td>Read setting card once</td> </tr> <tr> <td>Read admin add card</td> <td></td> </tr> </table>	Read admin add card	Read setting card once	Read admin add card		
	Read admin add card	Read setting card once					
	Read admin add card						
Door opening time : 5s	<table border="1"> <tr> <td>Read admin add card</td> <td>Read setting card twice</td> </tr> <tr> <td>Read admin add card</td> <td></td> </tr> </table>	Read admin add card	Read setting card twice	Read admin add card		Default	
Read admin add card	Read setting card twice						
Read admin add card							
Door opening time : 10s	<table border="1"> <tr> <td>Read admin add card</td> <td>Read setting card thrice</td> </tr> <tr> <td>Read admin add card</td> <td></td> </tr> </table>	Read admin add card	Read setting card thrice	Read admin add card			
Read admin add card	Read setting card thrice						
Read admin add card							
Data backup (See figure 10)							
4	Data backup output	<table border="1"> <tr> <td>Read setting card</td> <td>Read admin add card twice</td> </tr> <tr> <td>Read setting card</td> <td></td> </tr> </table>	Read setting card	Read admin add card twice	Read setting card		Green indicator light flash slowly
	Read setting card	Read admin add card twice					
Read setting card							
Data backup input	<table border="1"> <tr> <td>Read setting card</td> <td>Read admin delete card twice</td> </tr> <tr> <td>Read setting card</td> <td></td> </tr> </table>	Read setting card	Read admin delete card twice	Read setting card		Green indicator light flash slowly	
Read setting card	Read admin delete card twice						
Read setting card							

Operation by Remote controller

Add Users		Remarks
Change admin code	* Admin code # 0 New code # Repeat new code #	Default admin code: 999999
1		
Add card user	* Admin code # 1 Read card #	Read card continuously to add card user
Add card number user	* Admin code # 1 8 digits/ 10 digits card number #	
Delete Users		
2 Delete card user	* Admin code # 2 Read card or 8 digits/ 10 digits card number #	Read card continuously to delete card user
Delete ALL users	* Admin code # 2 0000 #	Delete ALL users
Door opening time setting		
3 Door opening time setting	* Admin code # 4 0~99 #	Door opening time range: 0-99 s Default : 5s
Mode setting		
4 Standalone access control mode	* Admin code # 50 #	After unlocked the door, the door will be locked automatically
Relay toggle mode	* Admin code # 51 #	After unlocked the door, users should read the card again or press exit button to lock the door.
Reader mode	* Admin code # 52 26/34 #	WG26/34 input and output
Data backup (See figure 10)		
5 Data backup output	* Admin code # 70 #	Send the data to external device.
Data backup input	* Admin code # 71 #	The device will receive the data.

9.Admin Card Operation

9.1 Add Card

Read admin add card Read the 1st user card Read the 2nd user card ...

Read admin add card

Note: The admin add card is used to add card users continuously and quickly. When you read the admin add card at the first time, you will hear short "BEEP-BEEP" and the indicator light turns orange, it means you have entered into add user programming. When you read the admin add card at the second time, you will hear long "BEEP--" sound once and the indicator light turns red, it means you have exited the add user programming.

9.2 Delete Card

Read admin delete card Read the 1st user card Read the 2nd user card ...

Read admin delete card

Note: The admin delete card is used to delete card users continuously and quickly. When you read the admin delete card at the first time, you will hear short "BEEP-BEEP" sound twice and the indicator light turns orange, it means you have entered into delete user programming. When you read the admin delete card at the second time, you will hear long "BEEP--" sound once, the indicator light turns red, it means you have exited the delete user programming.

10.Data Backup Operation

Example: Backup the data of machine A to machine B (Machine A uses admin card of A, machine B uses admin card of B)

The green wire and white wire of machine A connects with the green wire and white wire of machine B correspondingly, set B for receiving mode at first, then set A for sending mode, the indicator light turns green flash during the data backup, data backup is successful when indicator light turns red.

11 Reset to Factory Default/Register admin card

Users can reset to the factory default when the admin code is forgotten, or the default settings has been modified, operation as below:

Power off, press and hold the exit button continuously, power on, release the exit button immediately when hearing beep sound twice, the admin code has been reset to 999999, factory default settings are successful.

Power off, press and hold the exit button continuously, power on, release the exit button immediately when hearing beep sound twice, swipe the first card as for admin add card, swipe the second card as for admin delete card.

Note: Registered user data won't be deleted when reset to factory default.