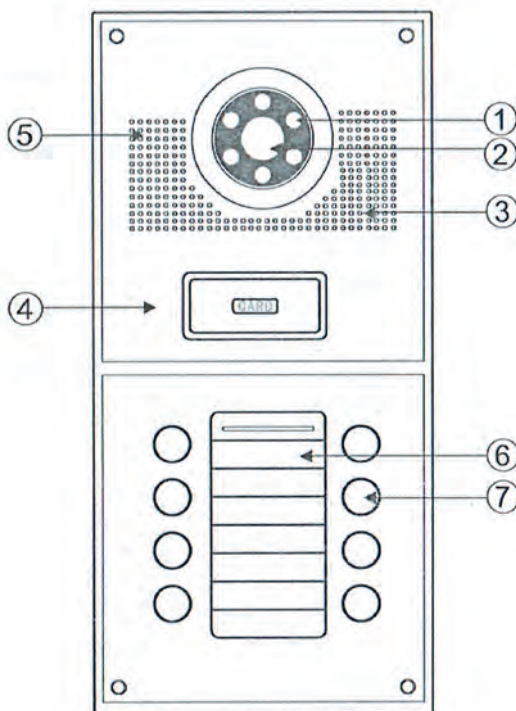


OPERATION INSTRUCTION
Video Intercom System

Outdoor Camera
User Manual

1. Appearance Introduction

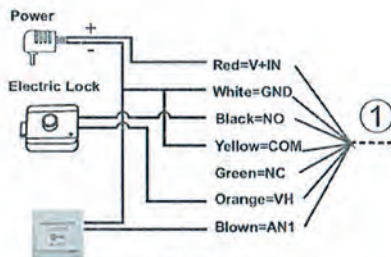


1	IR LEDs
2	Camera
3	Speaker
4	Swipe zone
5	Microphone
6	Plate name
7	Call button

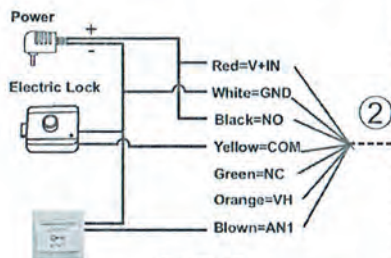
2. Wiring Diagram

For 8 Buttons

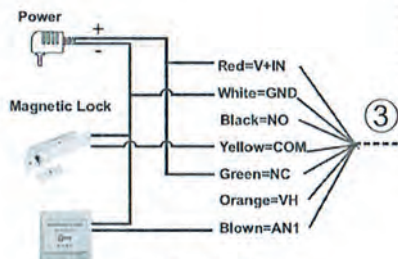
Note: The ports in the dashed line area are reserved. Do not connect to avoid the circuit problem.



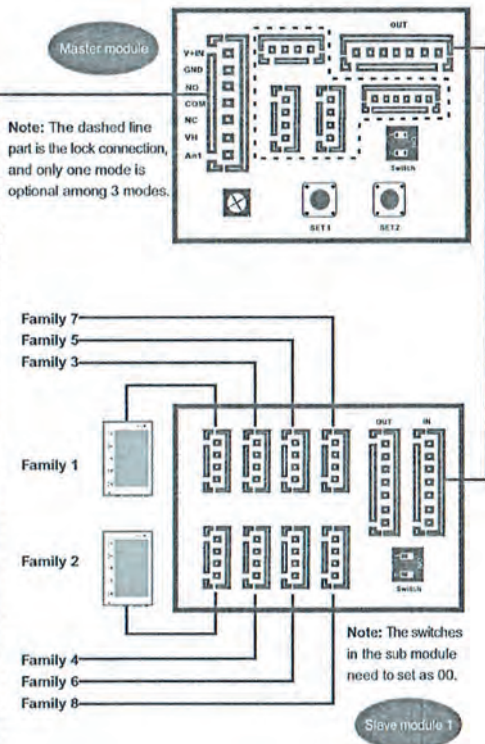
① ② ③ select one



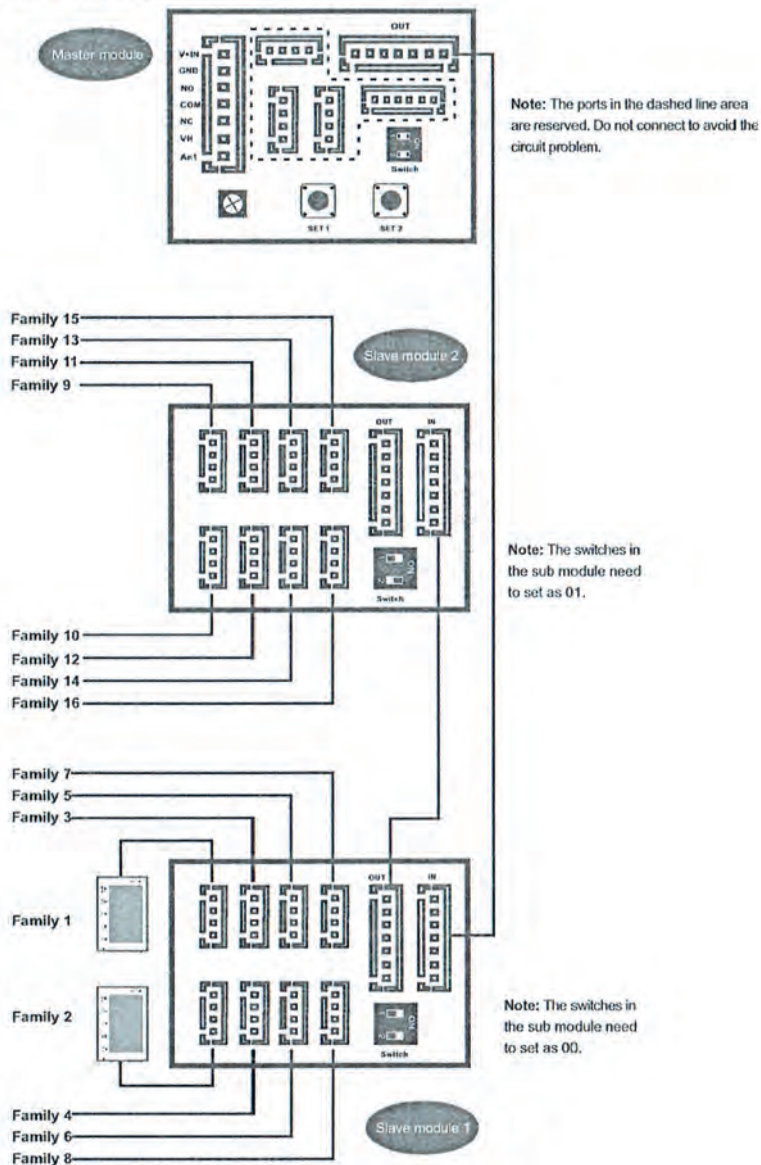
① ② ③ select one



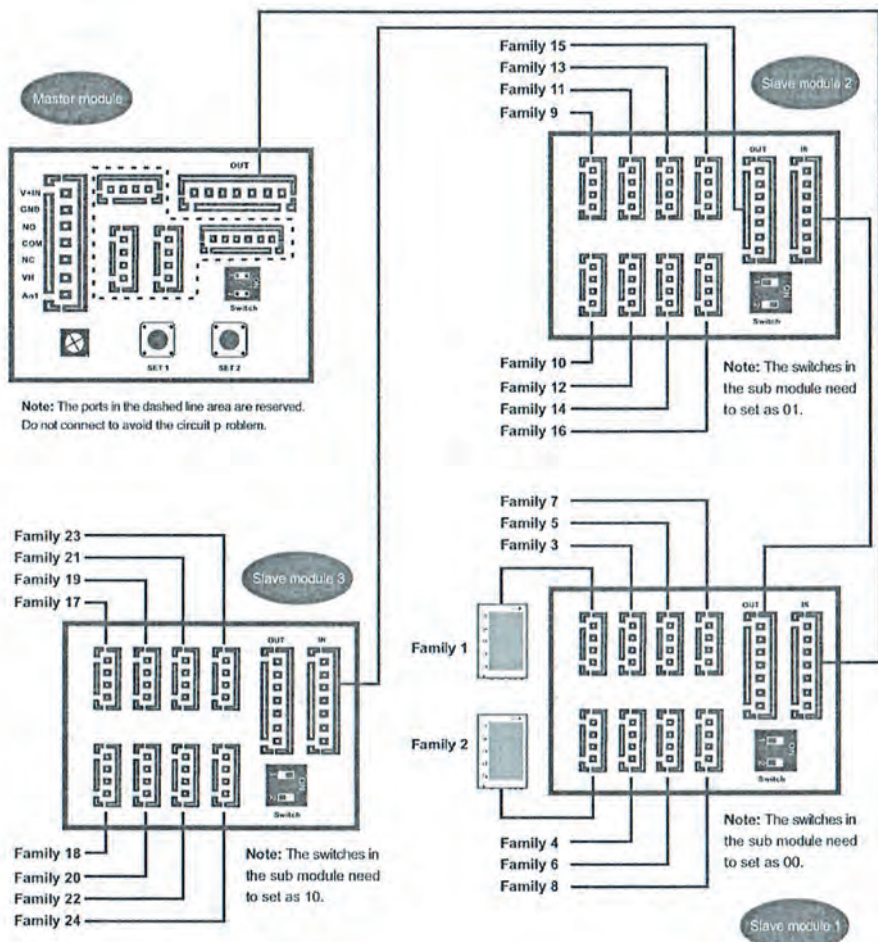
① ② ③ select one



For 16 Buttons

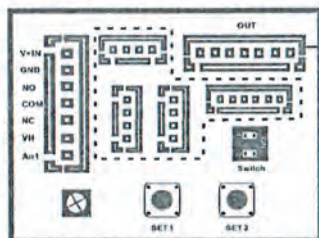


For 24 Buttons

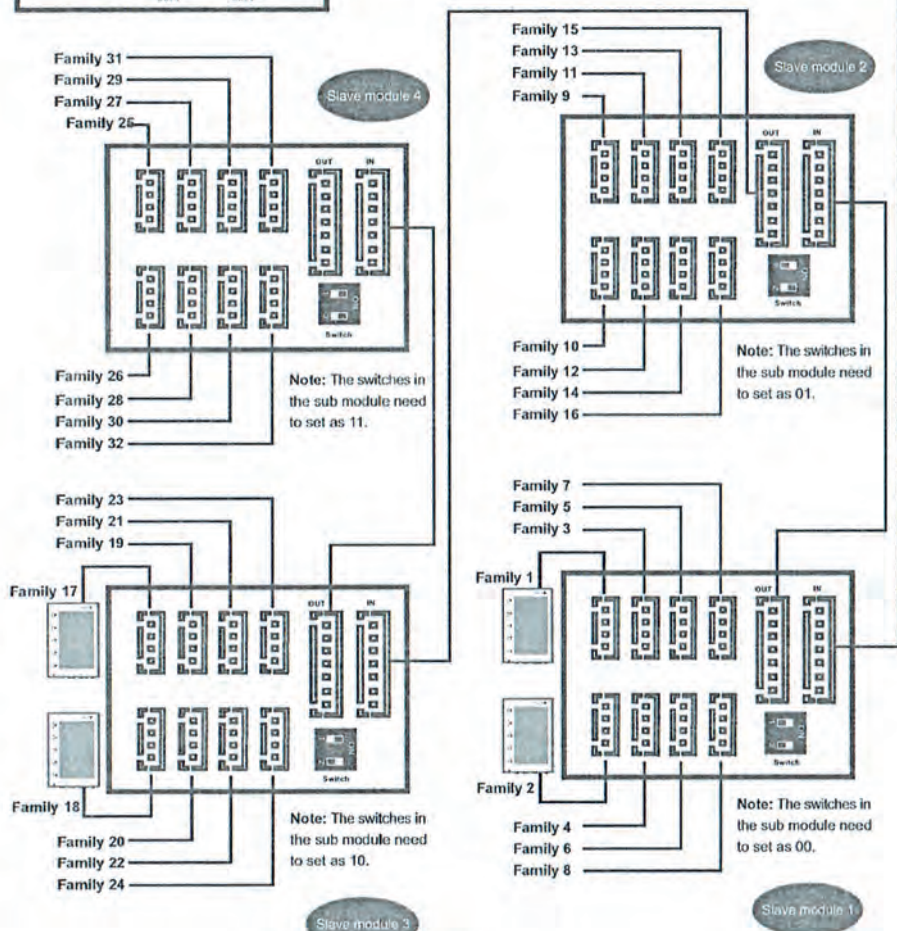


For 32 Buttons





Master module



Note: The ports in the dashed line area are reserved.
Do not connect to avoid the circuit problem.







Rear buttons overview

	Volume	Volume is at the main module for adjust the outdoor station voice.
	Set 1	Set 1 is at the main module for master card management.
	Set 2	Set 2 is at the main module for master card management.
	Switch	Switch on main module for master card management. Switch on sub module for setting the program of sub module.

Note: The outdoor station formed with main module and sub module, need to set the switch at the rear side of the outdoor station to make the main module and sub module connected successfully.

Need to set the switch at each sub module as follows when there are several sub modules.

Sub module 1	Sub module 2	Sub module 3	Sub module 4
00	01	10	11
			
Switch	Switch	Switch	Switch

3. Functions

Function	Description
Intercom	1) Dual way communication 2) Direct call to the room
Unlock mode	1) Unlock when monitoring at indoor monitor 2) Unlock when talking at indoor monitor 3) Unlock with RFID card at outdoor station
Night mode	IR light will on at the outdoor camera when call at night
Monitor	Support recording video and snapshot when monitor at indoor monitor
Operation mode	"RFID Light" will be on and flash when add cards, and will be off when finish

4. Master card management

1). Add master card

- ① Power on to the outdoor station
- ② Switch the switch 1 at the main module to be ON, and switch 2 to be OFF.
- ③ Press Set 1 and Set 2 at the same time for 3s to enter master code management mode.
- ④ Swiping 2 cards, 1st one is "Master card for card adding", 2nd one is "Master card for card deleting".
- ⑤ Master card management mode exits with Di in 3s after adding the cards successfully. It will wait for 1 min to exist the master card management mode if the cards failed to add or just one card added.

Note: 2 master cards are available to unlock. Master card cannot be delete, but the master card that added afterwards will take place the previous one.

2). Add cards with the “Master card for card adding”

Steps:

- ① Swipe the Master card to add 3 times in 10s goes to card adding mode (DiDi when swipe 1st and 2nd time, and DiDiDi when swipe 3rd)
- ② Swipe new cards to the card reading area, DiDi means add successfully.
- ③ Can continue to add new cards in the card adding mode.
- ④ Swipe the Master card for card adding once after all the cards added successfully will exist the card adding mode with Di.

Note:

- ① No operation within 1min will exist the card adding mode automatically.
- ② If the new adding card is the card already added or master card for card deleting, it will fail with DiDiDiDi.
- ③ Failed to add cards will not exist the card adding mode, can continue to add other cards.

3). Delete cards with the Master card for card deleting

Steps:

- ① Swipe the Master card for card deleting 3 times in 10s goes to card deleting mode (DiDi when swipe 1st and 2nd time, and DiDiDi when swipe 3rd)
- ② Swipe the cards that need to delete to the card reading area, DiDi means delete successfully.

- ③ Can continue to delete used cards in the card deleting mode.
- ④ Swipe the Master card for card deleting once after finish deleting the cards will exist the card deleting model with Di.

Note:

- ① No operation within 1min will exist the card deleting mode automatically.
- ② It will delete all the added cards if swipe the Master card for card adding in the card deleting mode.
Swipe the master card for card deleting once will exist the card deleting mode with Di 7 times.
- ③ If the card is not added before, it will fail with DiDiDiDi.
- ④ Failed to delete cards will not exist the card deleting mode, can continue to delete other cards.

5. Restore default setting

Steps:

- ① Power off the outdoor station, switch the switch 1 and switch 2 at the main module to ON.
- ② Long press Set1 and Set2 and power on the unit.
- ③ Default setting successfully with Di 7 times after 3s.

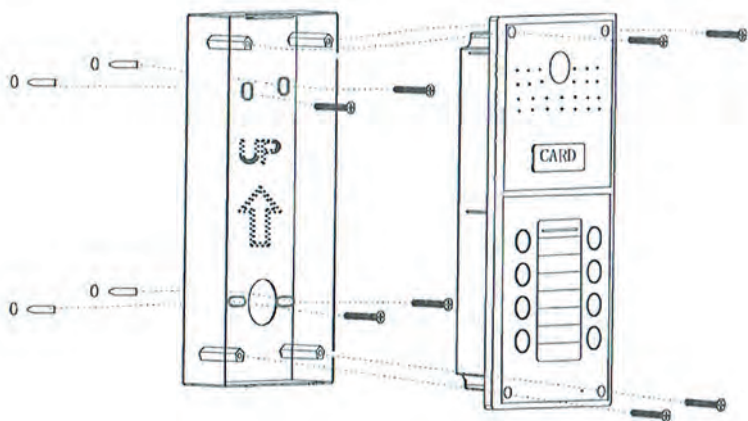
Note: Restore default will not delete the data on cards, password, and fingerprints.

6. Specification

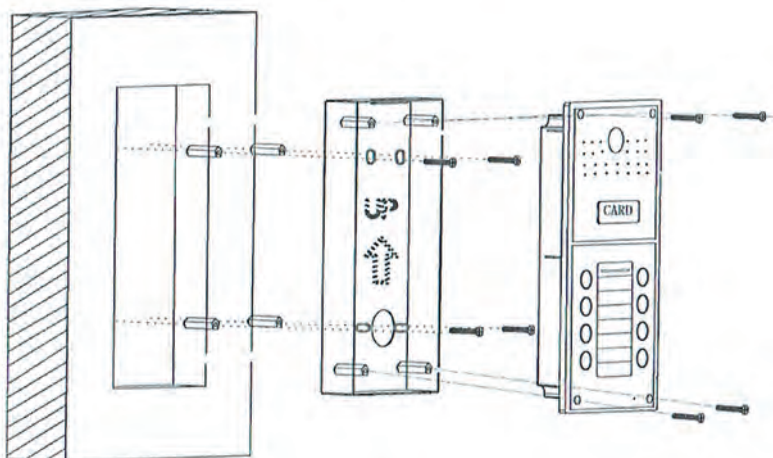
Lens	CVBS AHD
Angle	110°
Night LED	IR Cut 120°
Working Power	200mA Max
Power Supply	External DC 12V 1A power supply
Working Current	Standby \leq 30mA, work \leq 70mA
Card Type	125KHz ID card
Capacity	1000 cards
Sensing Distance	\leq 3cm
Sensing Time	\leq 2s
Temp	-40°C~+50°C
Humidity	\leq 95%
IP Rate	IP 65
Installation Mode	Flush mount

7. Installation

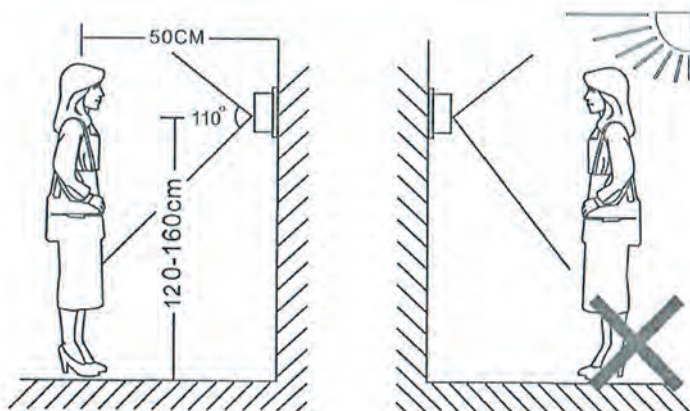
Surface Mount



Flush Mount



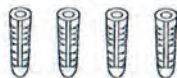
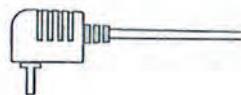
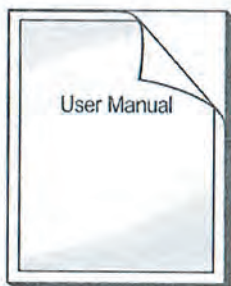
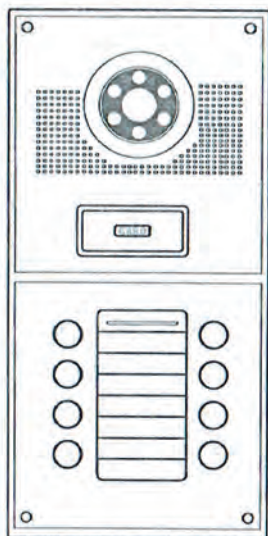
8. Installation Process of Outdoor Units



NOTE:

- ① Avoid installation of the device near strong radiation e.g TV, DVR and etc.
- ② Maintenance should be complied with qualified technician.
- ③ Avoid hard shake, beating and collision, otherwise the internal exact components maybe be damaged.
- ④ Select the most suitable position where the camera locates at user's eye at 150cm.
- ⑤ Switch off power supply before installation.
- ⑥ Keep more than 30cm away from AC power supply to avoid external interference.
- ⑦ Keep it away from the water and magnetic field.

9. Accessories



- Outdoor station----- 1PCS
- Plastic anchors----- 4PCS
- Screws----- 8PCS
- User Manual----- 1PCS
- Screwdriver----- 1PCS