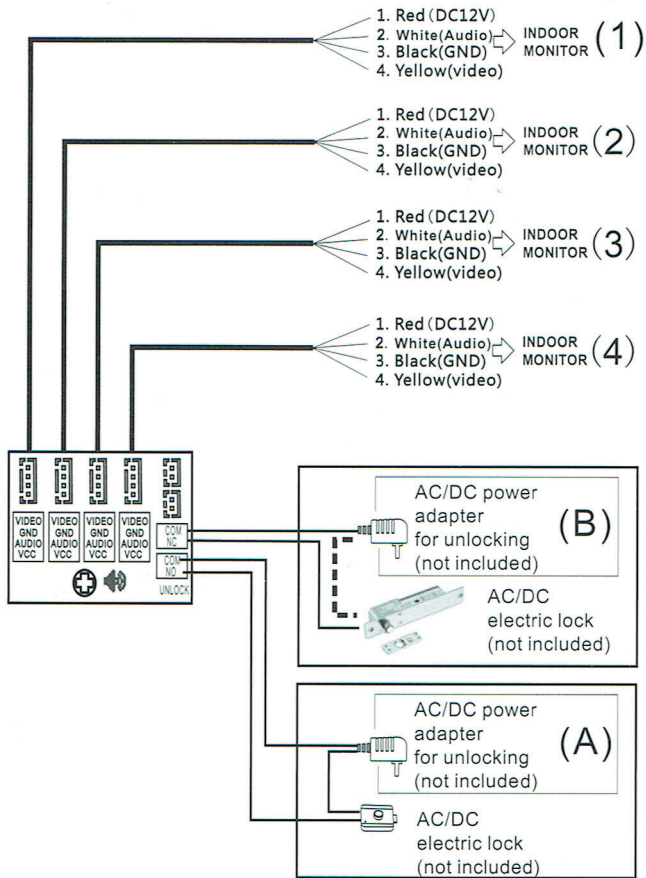


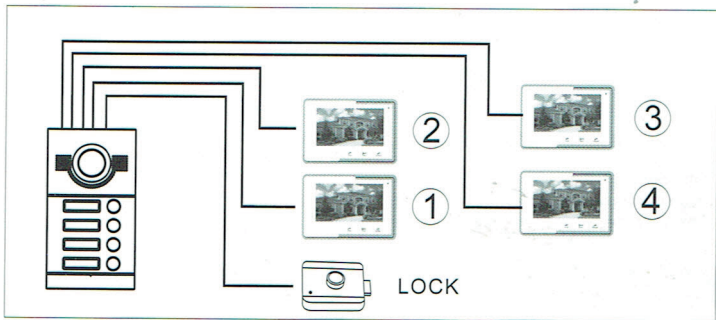
# **OPERATION INSTRUCTION**

## **Video intercom system**

Outdoor Camera

User Manual



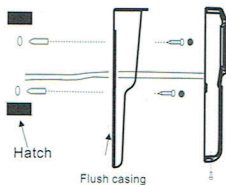


### 3. PRODUCT SPECIFICATIONS

Camera sensor	1/4:1/3inch pinhole CCD/COMS camera
View angle	76°(120')
Definition(Hor.)	420/480/600/700/800 TV Line
LEDs for night	IR LEDs(60')
Power consumption	150mA max.
Power supplier	Supplied from indoor unit
Operation temp.	-40~+50℃
Installation	Surface/flush mount

### 1. INSTALLATION DIAGRAM

Surface mount



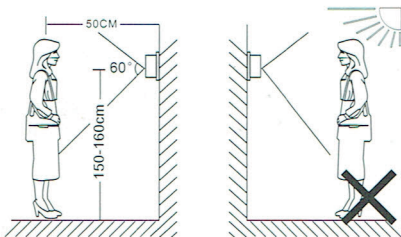
### a Dry contact

In the standard delivery the system supports locks with Normally Open (N.O.) door unlocking method. It means that in the normal state the dry contact (marked as a) is opened so the lock is kept under constant closed state. If the unlocking button is pressed and the dry contact is changed to closed, then the lock is released.

### The speaker volume is too low ,how to increase it?

At the backside of outdoor unit ,you can find out a regulator ( Marked as b ) which is used to adjust the speaker volume, turn the regulator with the screwdriver to decrease/increase the speaker volume.

## 5. INSTALLATION PROCESS OF OUTDOOR UNITS

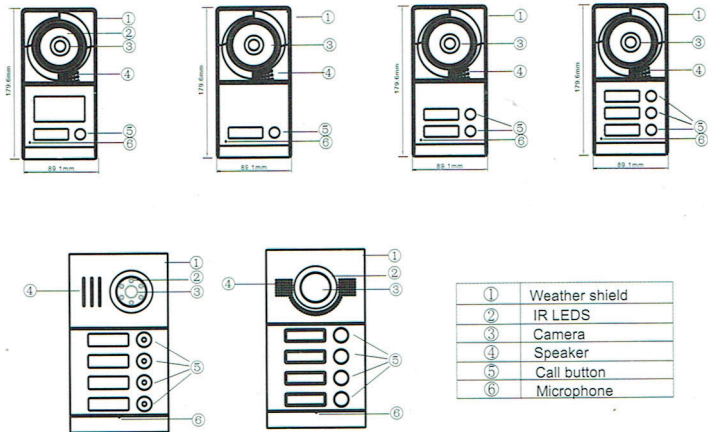


### NOTE:

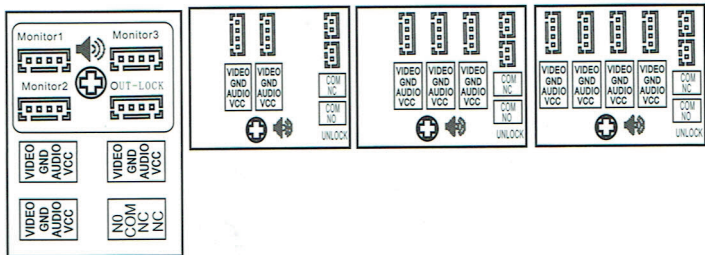
- Avoid installation of the device near strong radiation e.g. AC motor and lift .
- Maintenance should be complied with qualified technician .
- Avoid hard shake , beating and collision , otherwise the internal exact components maybe be damaged .
- Do not expose the outdoor camera under strong light or sunshine.
- Do not install the outdoor camera in the environment e.g. direct sunlight ,contact rain ,High temperature ,high humidity ,full of dust and chemistry corrosive.
- Select the most suitable position where the camera is located at user's eye level
- Switch off power supply before installation.
- Keep more than 30cm away from AC power supply to avoid external interference.
- Keep it away from the water and magnetic field.



# 1. OVERVIEW



# 1. WIRING DIAGRAM



# **OPERATION INSTRUCTION**

## **Video intercom system**

Outdoor Camera

User Manual