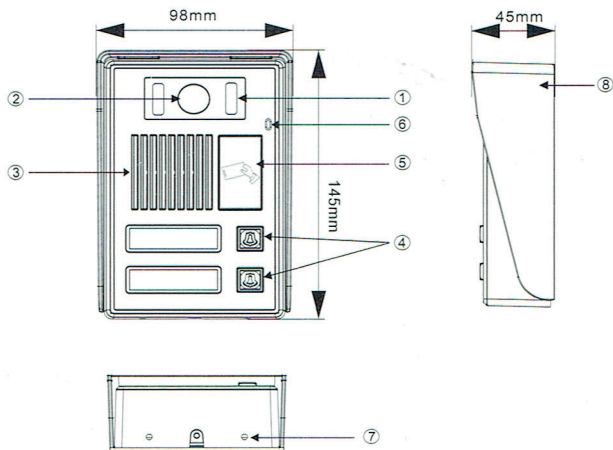


The page features decorative curved lines at the top and bottom. The top line is a light blue-grey curve, and the bottom line is a darker blue-grey curve. The main content is centered on a white background.

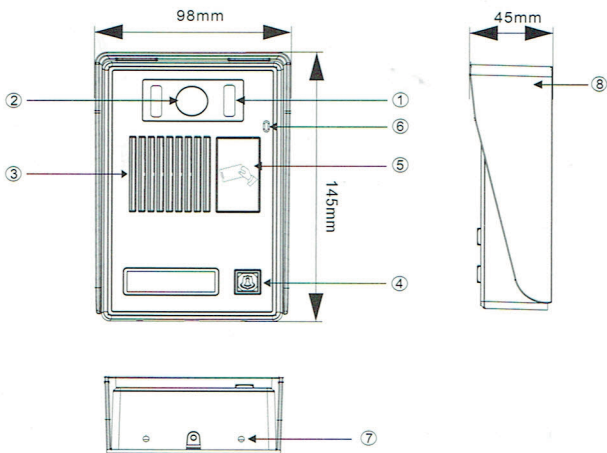
**OPERATION INSTRUCTION**  
**Video Intercom System**

Outdoor Camera  
User Manual

# Dimension parameter



1	IR LEDS
2	Camera
3	Speaker
4	Call button
5	Card reader area
6	Microphone
7	Screw slot
8	Weather shield



1	IR LEDS
2	Camera
3	Speaker
4	Call button
5	Card reader area
6	Microphone
7	Screw slot
8	Weather shield

## I Function

This product function including access card RFID+ access controller+ video & audio intercom, use for factory, home, office , bank and community etc. as a strong guarder protect your place in safety.

## II Capacity

200 pcs cards

## III Access technical parameter

Camera sensor	1/4;1/3inch CCD/COMS camera
View angle	110°
Definition(Hor.)	420/600/800 TV Line
LEDs for night	IR LEDs(120°)
Power consumption	150mA max.
Power supplier	DC+12V--+15V
Operation temp.	-30--+50℃
Adaptive card type	ID Card
Detecting distance	≤5cm
Installation	Surface mount

## IV Administration

### Add master card

Two pcs master card, one is add card master card, one is delete card master card.

When the call panel on standby status, keep press the SET 1 button and SET 2 button more than 3S and release then till buzzer rings (BI BI ), Then the CALL button indicator light flash slowly that the call panel enter add master card mode.

First, use two cards swipe on the card reader, the buzzer will with Bi Bi sound after swipe card, one of this 2 cards which swipe firstly is the add card master card, another card is delete card master card.( the call panel only accept 2 pieces cards during add card master card mode, add card master card and delete card master card should not be the same one , further cards is invalid after these 2 cards. the master card can not delete, only support add new master card to replace the original one).

Keep press CALL button 3s then can quit add master card mode, or it will back quit the mode and back to standby status automatically if without any operating in 10s.

### Add user card

When the call panel work normally, swipe the add card master card first, buzzer with "BI BI" sound, the indicator light flash slowly. Then start swipe the unregistered card on the card reader , Bi Bi sound will company with each time if add card successful. After add all cards or want to stop adding card, swipe the add card master card can quit add card mode, (It will quit the add card mode if no any operating in 1min.) then the CALL indicator light turn on and machine back to standby status.

NOTIC: One card only can be added once in the above operation.

### Delete part of user card

When the call panel work normally, swipe the delete card master card first, buzzer with "BI BI" sound, the indicator light flash fast. Then start swipe the registered card on the card reader , Bi Bi sound will company with each time if delete card successful. After delete all cards or want to stop delete further cards, swipe the delete card master card can quit delete card mode,( It will quit the delete card mode if no any operating in 1min). then the CALL indicator light turn on and machine back to standby status.

### Delete all user cards

When the call panel work normally, swipe the delete card master card , buzzer with BIBI sound, the indicator light flash fast, swipe the add card master card, buzzer Bi Bi sound, If need quit the mode, please keep press CALL button 3s. then swipe the delete card master card again, the buzzer will with 7 times sound of Bi Bi Bi....continuously, and all user cards deleted successfully. then the CALL indicator light turn on and machine back to standby status.

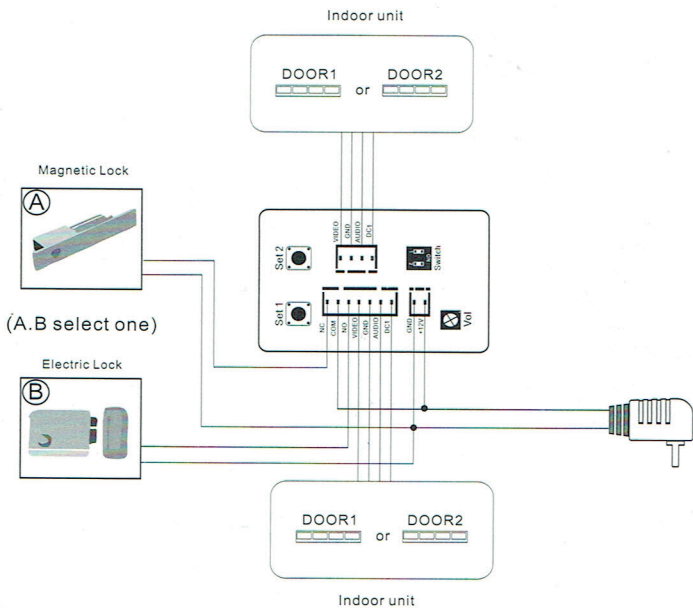
Note: If swipe the wrong card 10 times continuously in 3minutes , the call panel will call indoor monitor automatically and the call panel buzzer keeping rings 1 minute.

### Setup unlock time:

Device is in standby mode, move dial-switch, it will with below sound. 00 (1tone) 01(2 tone),10(3tone),11(4tone)

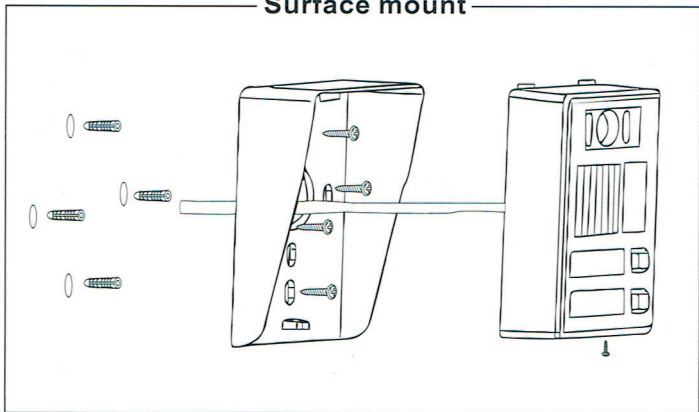
Dial-switch status	00	01	10	11
Unlock time	2s	6s	8s	10s

# CONNECTION INSTRUCTION

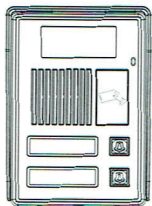


# INSTALLATION OF OUTDOOR CAMERA

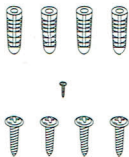
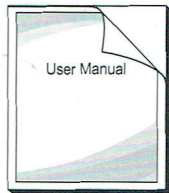
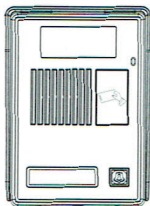
## Surface mount



# ACCESSORIES



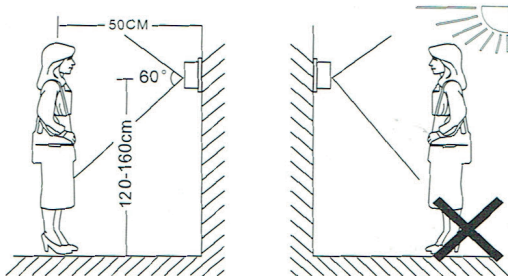
OR



- Access unit ----- 1PCS
- Plastic Anchors ----- 4PCS
- Screws ----- 5PCS
- User manual ----- 1PCS
- External power supply switch(Optional) ----- 1PCS
- 4 Pin line ----- 1PCS
- 7 Pin line ----- 1PCS



## INSTALLATION PROCESS OF OUTDOOR UNITS



### NOTE:

- Avoid installation of the device near strong radiation e.g. AC motor and lift .
- Maintenance should be complied with qualified technician .
- Avoid hard shake , beating and collision , otherwise the internal exact components maybe be damaged .
- Do not expose the outdoor camera under strong light or sunshine.
- Do not install the outdoor camera in the environment e.g. direct sunlight ,contact rain ,High temperature ,high humidity ,full of dust and chemistry corrosive.
- Select the most suitable position where the camera is located at user's eye level
- Switch off power supply before installation.
- Keep more than 30cm away from AC power supply to avoid external interference.
- Keep it away from the water and magnetic field.

### Add user card

When the call panel work normally, swipe the add card master card first, buzzer with "BI BI" sound, the indicator light flash slowly. Then start swipe the unregistered card on the card reader , Bi Bi sound will company with each time if add card successful. After add all cards or want to stop adding card, swipe the add card master card can quit add card mode, (It will quit the add card mode if no any operating in 1min.) then the CALL indicator light turn on and machine back to standby status.

NOTIC: One card only can be added once in the above operation.

### Delete part of user card

When the call panel work normally, swipe the delete card master card first, buzzer with "BI BI" sound, the indicator light flash fast. Then start swipe the registered card on the card reader , Bi Bi sound will company with each time if delete card successful. After delete all cards or want to stop delete further cards, swipe the delete card master card can quit delete card mode,( It will quit the delete card mode if no any operating in 1min). then the CALL indicator light turn on and machine back to standby status.

### Delete all user cards

When the call panel work normally, swipe the delete card master card , buzzer with BIBI sound, the indicator light flash fast, swipe the add card master card, buzzer Bi Bi sound, If need quit the mode, please keep press CALL button 3s. then swipe the delete card master card again, the buzzer will with 7 times sound of Bi Bi Bi....continuously, and all user cards deleted successfully. then the CALL indicator light turn on and machine back to standby status.

Note: If swipe the wrong card 10 times continuously in 3minutes , the call panel will call indoor monitor automatically and the call panel buzzer keeping rings 1 minute.

### Setup unlock time:

Device is in standby mode, move dial-switch, it will with below sound. 00 (1tone) 01(2 tone),10(3tone),11(4tone)

Dial-switch status	00	01	10	11
Unlock time	2s	6s	8s	10s

